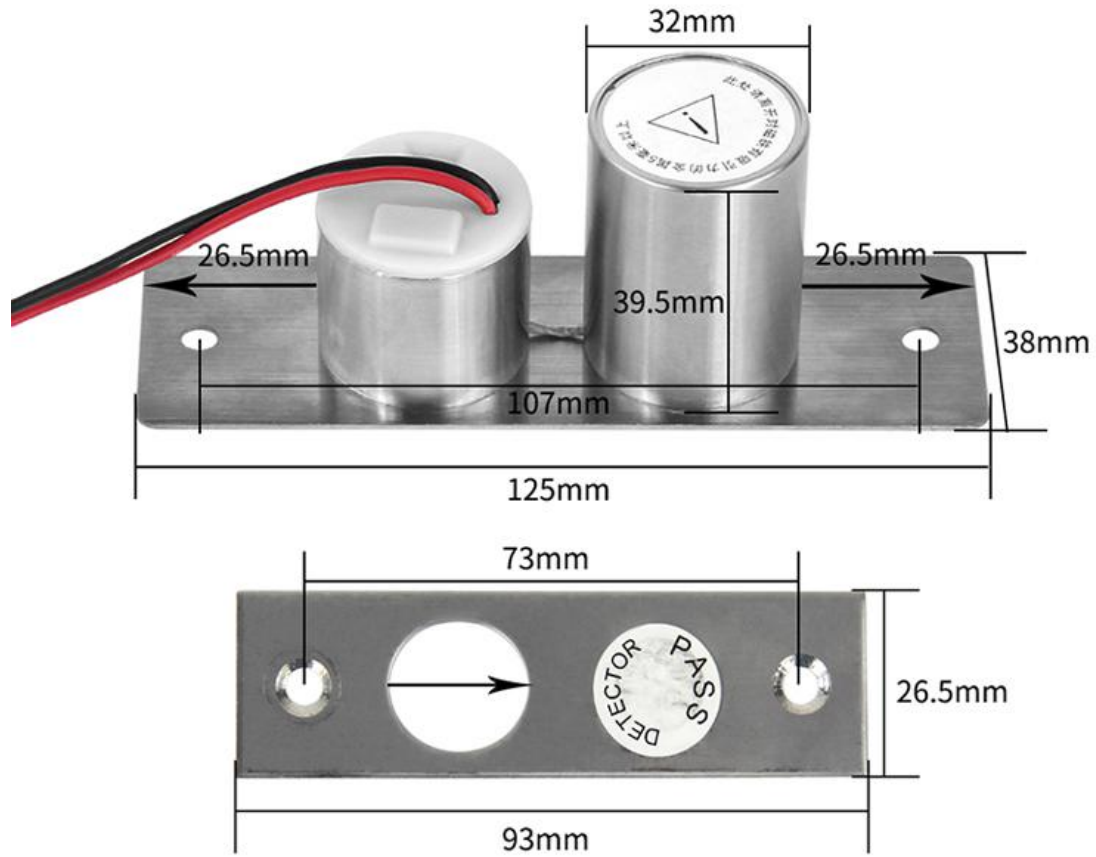



BL-M3001 Mini Electric bolt lock with 2wires


Product Parameter		
1	Material	Stainless steel
2	Lock finish	Wire drawing
3	Lock dimension	125 X 39.5 X 38mm
4	Armature plate	93 X 26.5mm
5	Open way	Fail-Safe
6	Voltage	DC 12V
7	Start current	0.7A
8	Standby current	0.12A



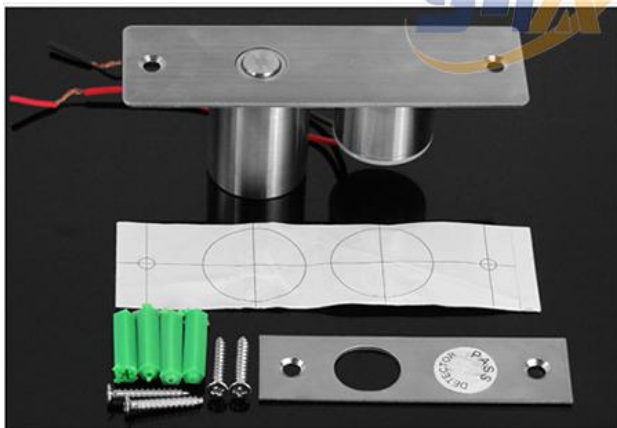
COMMODITY PARAMETERS

Wire drawing stainless steel plate

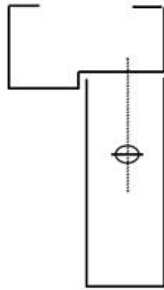


Stainless steel cylinder

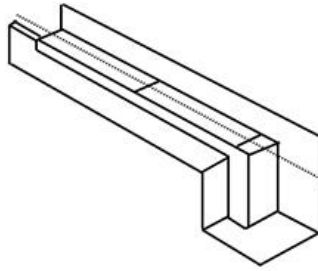
2 wire core bolt lock



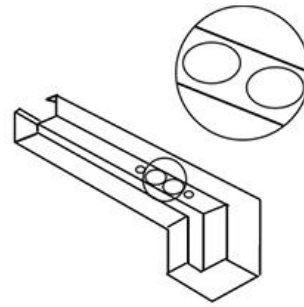
Complete accessories



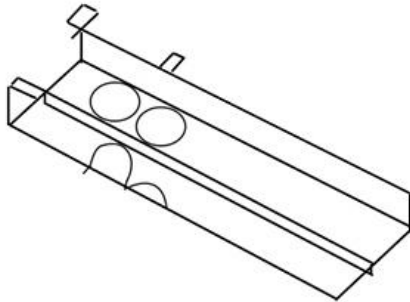
1. Double confirm the distance between door and door frame



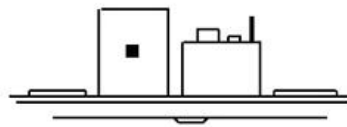
2. Stick the plate



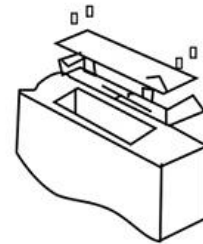
3. Drill a hole



4. Fix it with screws



5. Fix the armature plate on the door frame



6. After installed, power on and test