



SA-86 Fingerprint standalone access control with LCD display

Parameters

Size	86*86*26mm
Screen	black-white screen
Fingerprint identification time	<1.5S
False reject rate	< 0.01%
False accept rate	< 0.0001%
Fingerprint count	500
Card count	500 (non-standard)
Code count	2
Door controlled	1
Pass mode	Fingerprint/Card/Code Fingerprint & Card, Fingerprint & Code
Linking mode	Offline



AI. Operations

TIPs:

The "FP" in the article is short for fingerprint.

The "Bell" in the article means the icon of Bell

Long press on the Bell icon for 3 seconds and enter a six-digit code (default: 888888) to enter the menu.

Disconnect the power supply, long press the reset button, and switch on the power for 3 seconds then reset the menu code.

Each user number supports three fingerprints and one card.

The pass mode integrating FP and code uses randomly allocated common codes.

Combination passmode must first press the fingerprint and then code or card plus Press "Bell" to confirm.

Press "*" to back or cancel.

Menu operations:

Select a number to enter the corresponding menu.

1. User Add

> FP Add

Enter the user number.

If the user number has existed, switch to backup registration.

Press "Bell" to confirm.

Press on the fingerprint reader with the same finger for successive three times.

The registration will end upon a success prompt.

Continue to the adding or backup as prompted on the screen.

> Card Add

Enter the user number.

Press "Bell" to confirm and then punch the card. The registration will end upon a success prompt.

If the card has already exists, replace it or exit as prompted..

2. Common code

There should be two common code at most.

Enter "1", press "Bell" to confirm, enter a six-digit common code and press "Bell" again to confirm.

There will be a prompt of successful saving. The same operation to register '2'

3. Opening Delay

Enter the delay time (maximum: 255s) and press "Bell" to confirm.

4. Time Set

Enter the Specific dates prompted, press "Bell" to confirm and go to the next line, Press "*" to return and save.

5. Pass mode

> FP/Card/Code

> FP&Card

> FP & Code

Enter the corresponding digit and save it.

6. Menu Code

Enter a six-digit code and press "Bell" to confirm.

There will be a prompt of successful saving.

7. User delete

> Number Delete

Enter the user number and press "Bell" to confirm

> ALL Delete

Press "Bell" for four times to confirm.

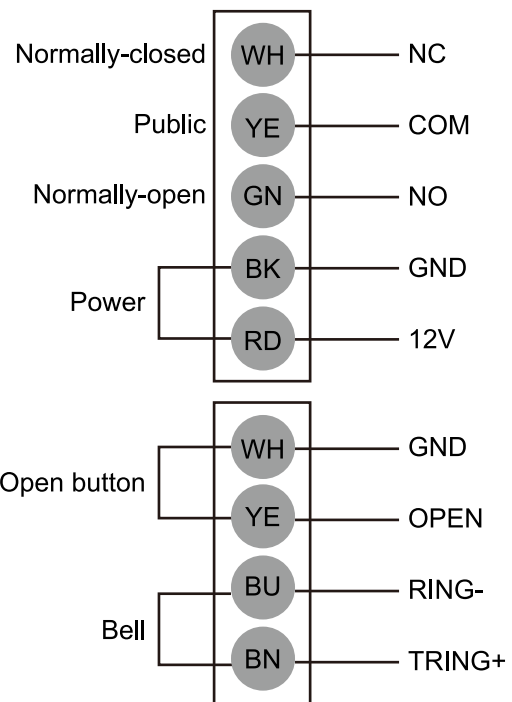
8. Initialize

Press "Bell" four times to confirm the operation

9. Language

Press "Bell" to confirm to Chinese.

III. Wiring (Installation standards according to Standard for mounting of type 86 base)



(Door bell wiring, distinguish positive and negative)